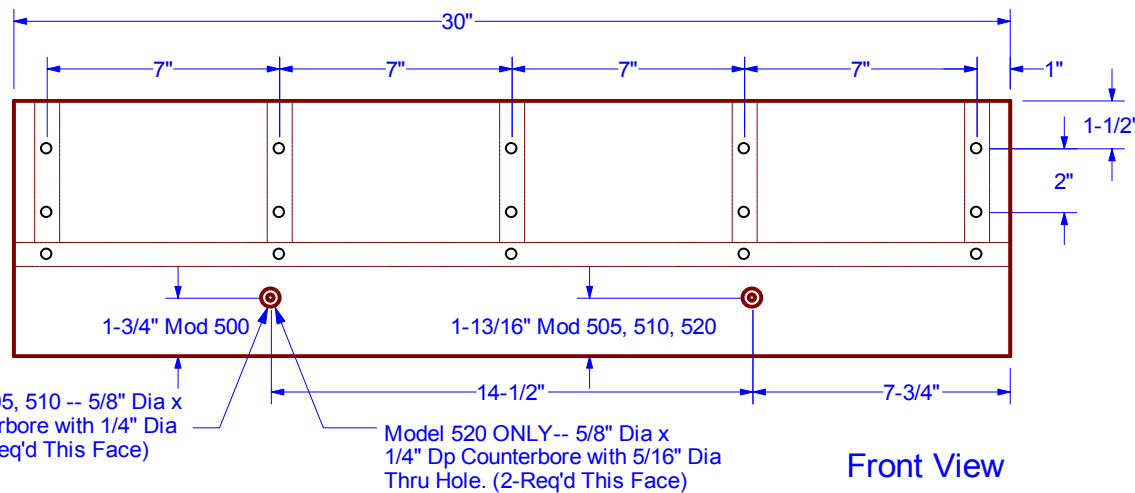
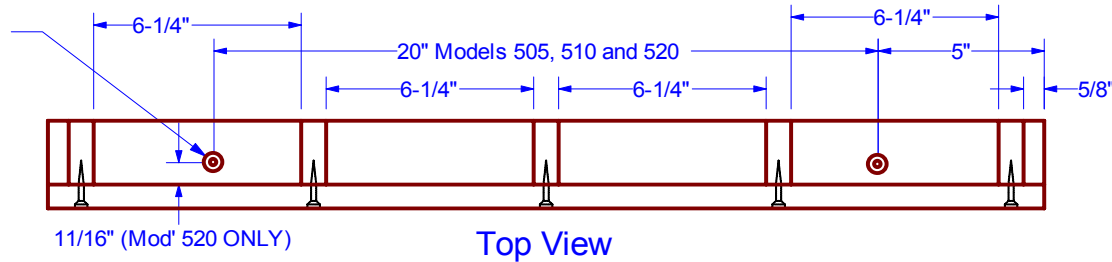


TALL FENCE EXTENSION

Model 505, 510 520.
5/8" Dia x 1/4" Dp
Counterbore with
5/16" Dia Thru Hole.
(2-Req'd This Face)

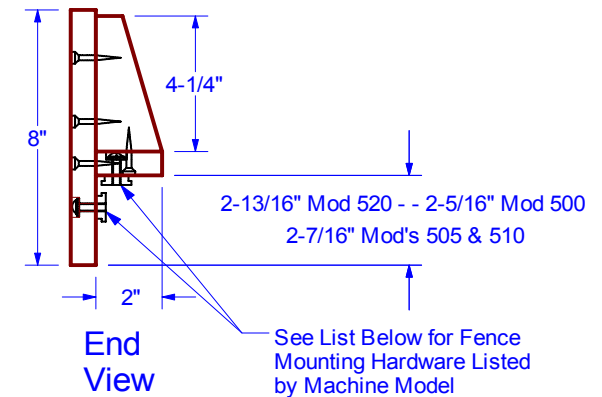


Models 500, 505, 510 -- 5/8" Dia x
1/4" Dp Counterbore with 1/4" Dia
Thru Hole (2-Req'd This Face)

Model 520 ONLY -- 5/8" Dia x
1/4" Dp Counterbore with 5/16" Dia
Thru Hole. (2-Req'd This Face)

NOTES:

- 1.) Make Fixture from 3/4" thick Birch Plywood (1-Pc, 12" x 30" Req'd).
- 2.) Assemble Fixture with Glue and #8 x 1-1/2" Lg Flat Head Wood Screws (20-Req'd).
- 3.) Glue Plugs over Screw Heads and Sand Plug Flush with Surface (20-Req'd).



Fence Mounting Hardware -- Model 520			Fence Mounting Hardware -- Model 505 & 510			Fence Mounting Hardware -- Model 500		
DESCRIPTION	PT.NO.	QUANTITY	DESCRIPTION	PT.NO.	QUANTITY	DESCRIPTION	PT.NO.	QUANTITY
Threaded T-Nut	(514419)	2	Threaded T-Nut	(514419)	2	1/4" x 2-14" Carriage Bolt	(513245)	2
1/4-20 x 1" Lg But Hd Screw	(521629)	2	1/4-20 x 1" Lg But Hd Screw	(521629)	2	Flat Washer	(120392)	2
3/16" Flat Washer	(522333)	2	3/16" Flat Washer	(522333)	2	Wing Nut	(513216)	2
			1/4" x 2-14" Carriage Bolt	(513245)	2			
			Flat Washer	(120392)	2			
			Wing Nut	(513216)	2			