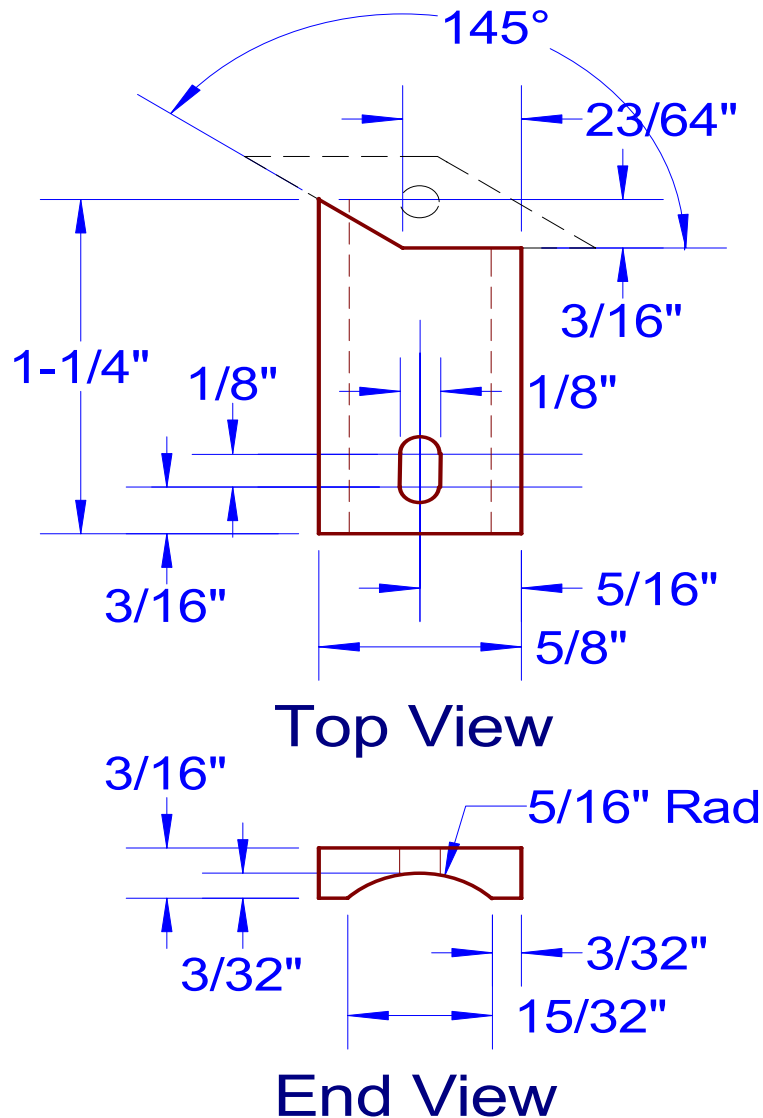


CUTTER HOLDER FOR BORING BAR



Note: To cut the radius in the bottom surface, drill a $5/8\text{'}$ dia. hole through a 1' x 1' x $1\text{-}1/4\text{'}$ block, then cut the piece from the block with a band saw.

To make the slot, drill two $1/8\text{'}$ dia. holes side by side and "wobble" out the waste in between.