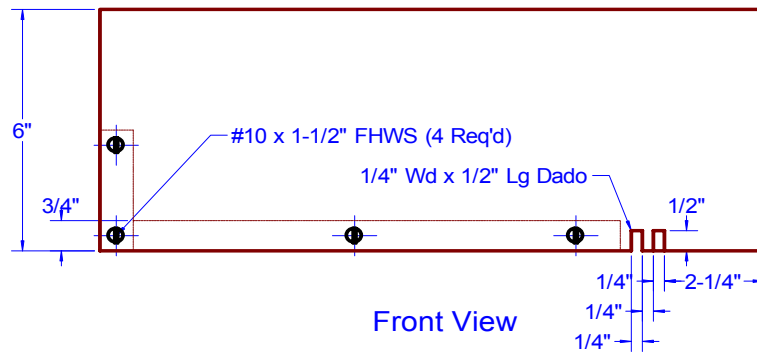
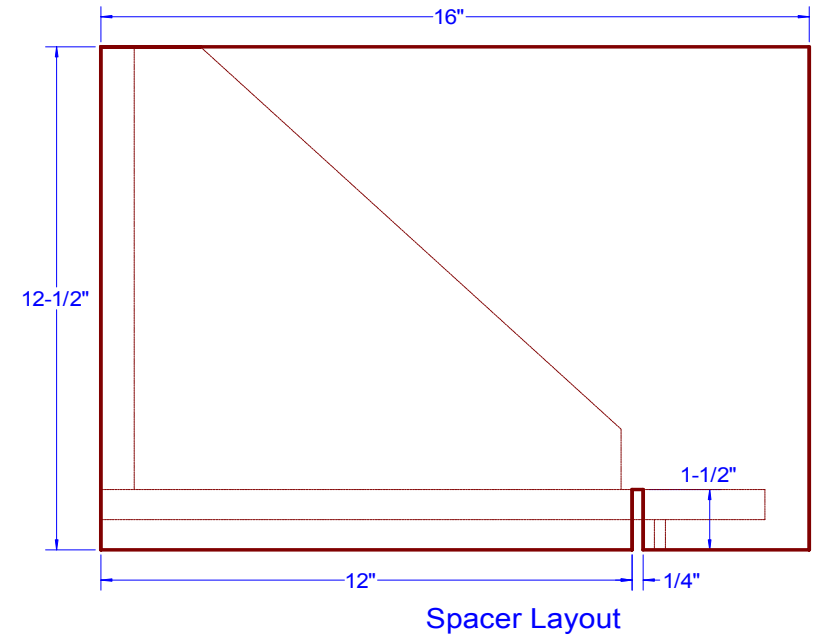
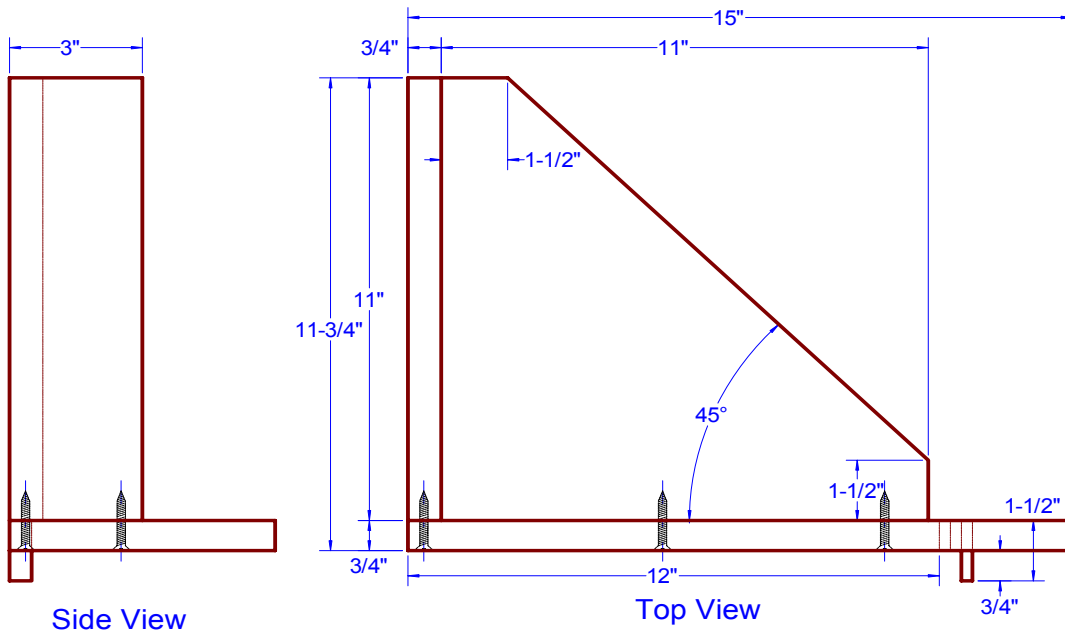


# ROUTER FINGER JOINT JIG



Note: Screw, don't glue, the face to the base and brace. This will allow you to change out the face to make different sizes of fingers. As shown, this jig will make 1/4" fingers, 1/2" thick, and spaced 1/4" apart.