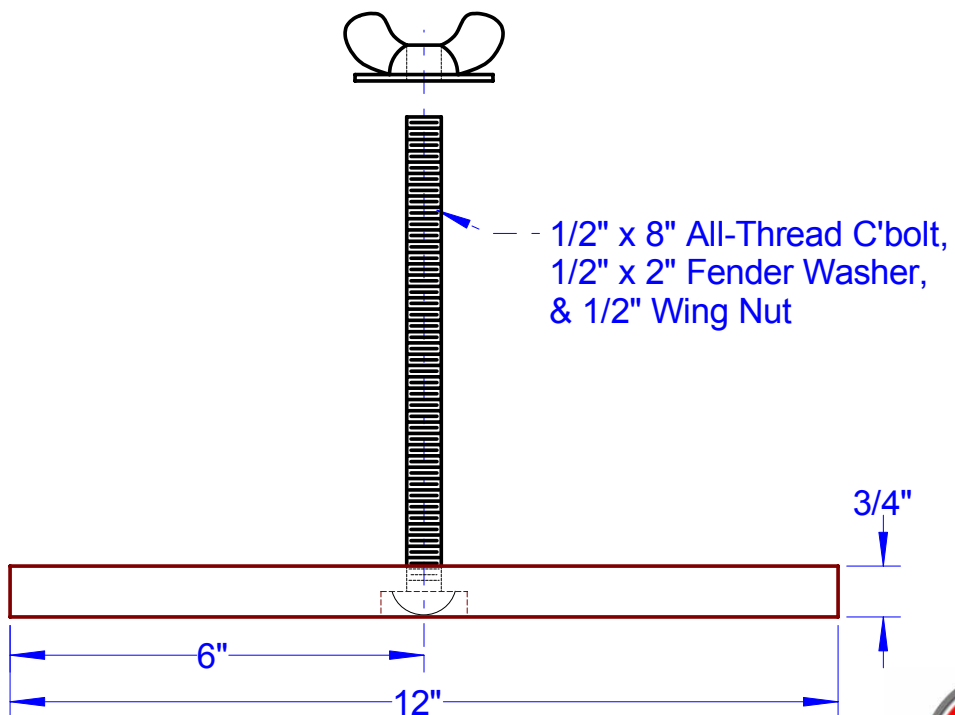
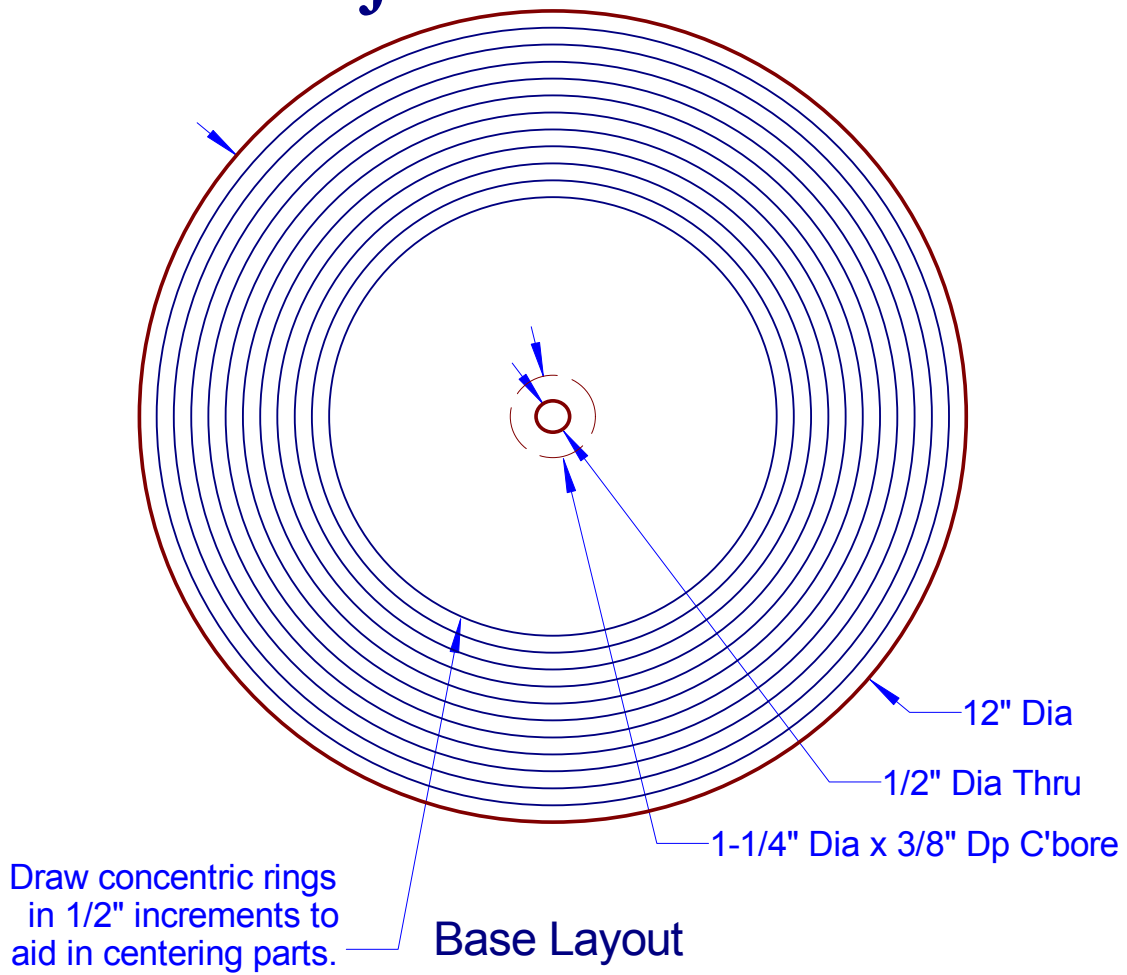


RING ASSEMBLY JIG



Side View

PAGE 1 OF 1

