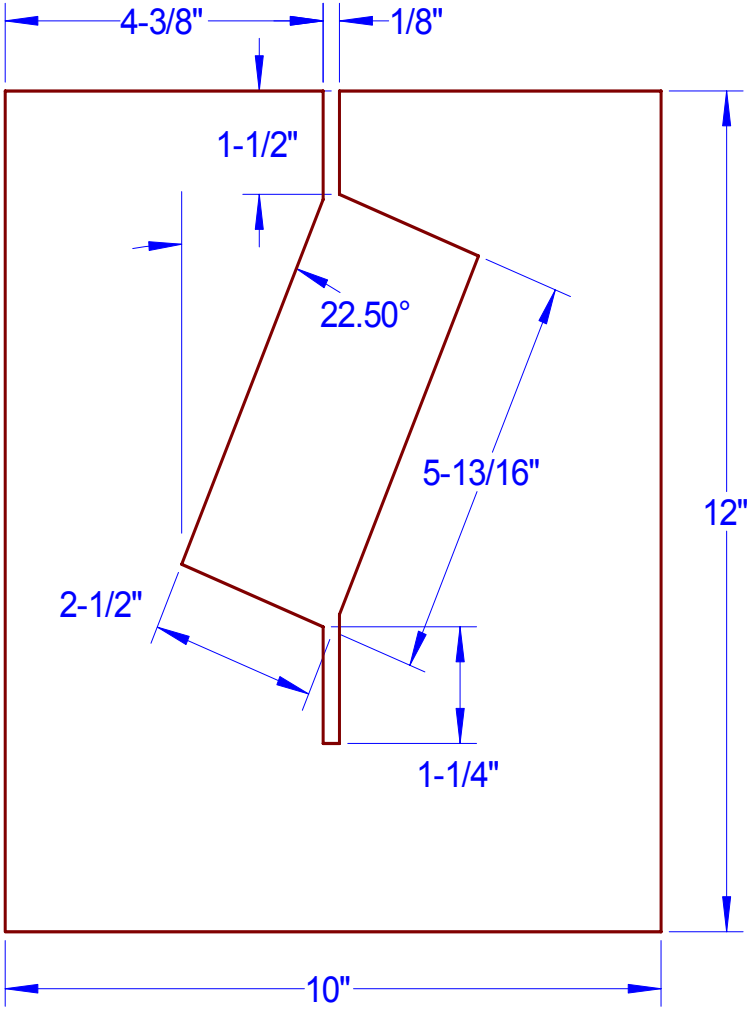
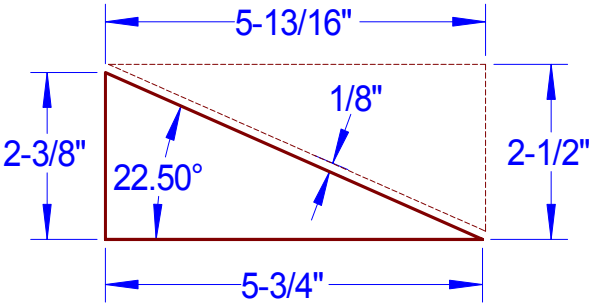


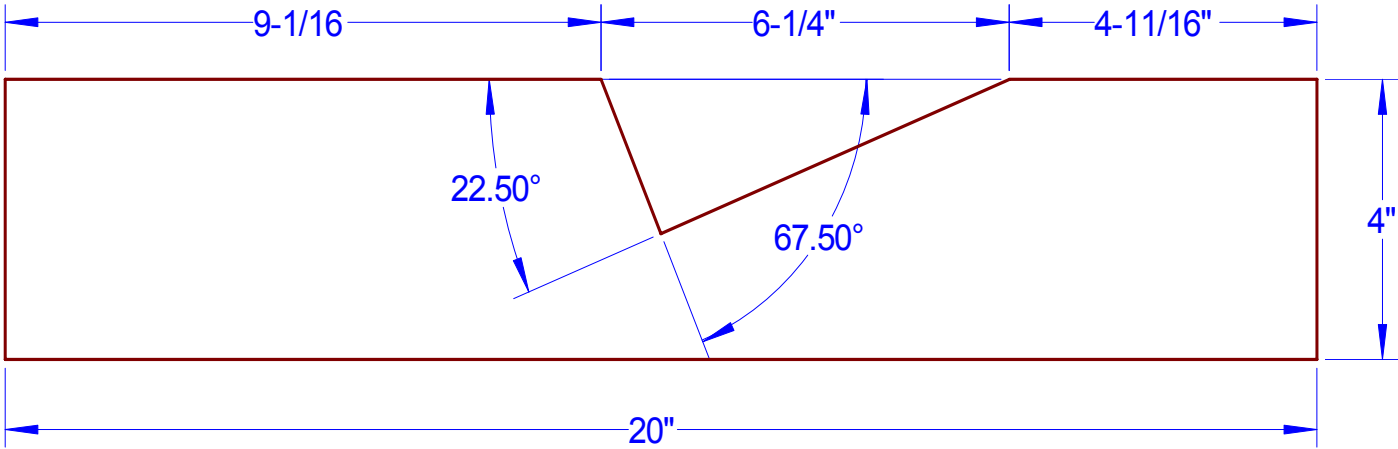
NOTCH JIGS



Note: To make a 22-1/2 degree segment 2-3/8" x 5-3/4" with a saw that leaves a 1/8"-wide kerf, make a diagonal cut in a rectangular block 2-1/2" x 5-13/16".



Cutting Notch Jig



Sanding Notch Jig

