

STANDARD CABINET DIMENSIONS

These dimensions are intended as guidelines only. Design the complete built-in assembly to fit the available space, and size the individual units to be easy to handle and install.

COUNTER UNIT

| | |
|-------------------------------------------------------------------------------|---------|
| Depth | 24"-25" |
| <i>(Commercial countertops are made to fit units 24", 30", and 36" deep.)</i> | |
| Height | 36" |
| Width | 12"-96" |
| Countertop thickness | |
| Kitchens/bathrooms | 1"-2" |
| Elsewhere | 1" |
| Countertop overhang | 1"-2" |
| Backsplash height | 4"-12" |
| Toe space depth | 3" |
| Toe space height | 4" |

WALL UNIT

| | |
|--------------------------|---------|
| Depth | |
| Kitchens | 12"-13" |
| Elsewhere | 8"-15" |
| Height | 30"-42" |
| Width | 12"-96" |
| Height above countertops | 16"-18" |

TALL UNIT

| | |
|--------|---------|
| Depth | 12"-25" |
| Height | 60"-84" |
| Width | 12"-96" |

CORNER COUNTER UNIT

| | |
|----------------|---------|
| Diagonal depth | 43"-45" |
| Width | 26"-38" |

CORNER WALL UNIT

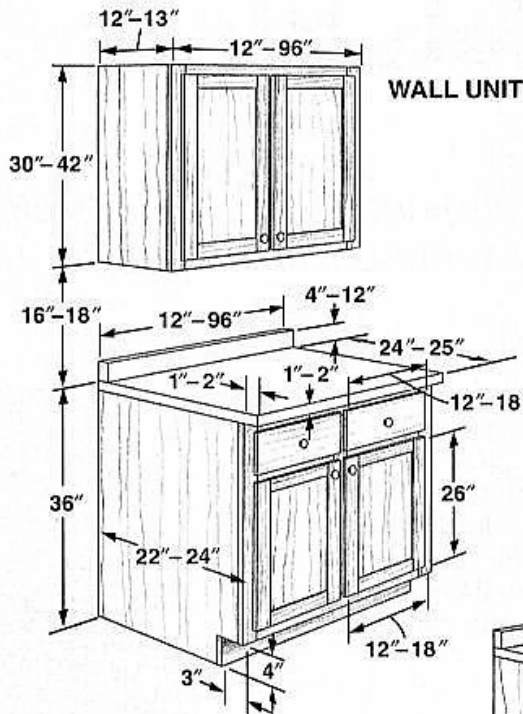
| | |
|----------------|---------|
| Diagonal depth | 25" |
| Width | 23"-24" |

DOORS

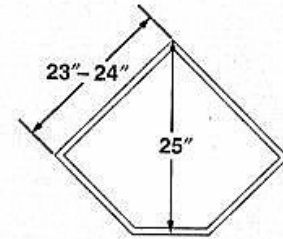
| | |
|---------------|---------|
| Height | |
| Counter units | 26" |
| Elsewhere | Varies |
| Width | 12"-18" |

DRAWERS

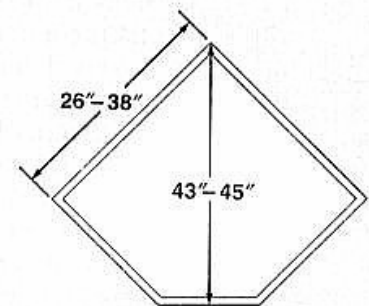
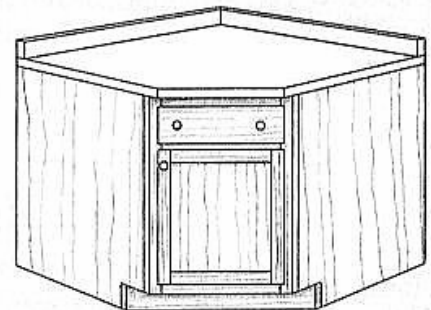
| | |
|---------------------------------------------|---------|
| Height | |
| Top drawer | 5"-6" |
| Middle/bottom drawers | 6"-10" |
| Width | 12"-18" |
| <i>(Often matches door above or below.)</i> | |



COUNTER UNIT

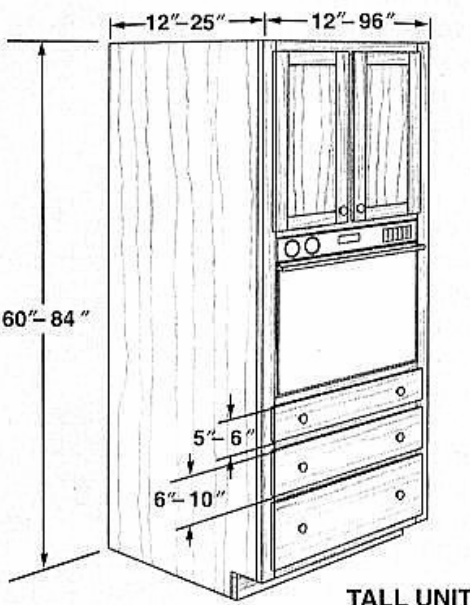


TOP VIEW



TOP VIEW

CORNER UNITS



TALL UNIT

From *Woodworking Wisdom* by Nick Engler

