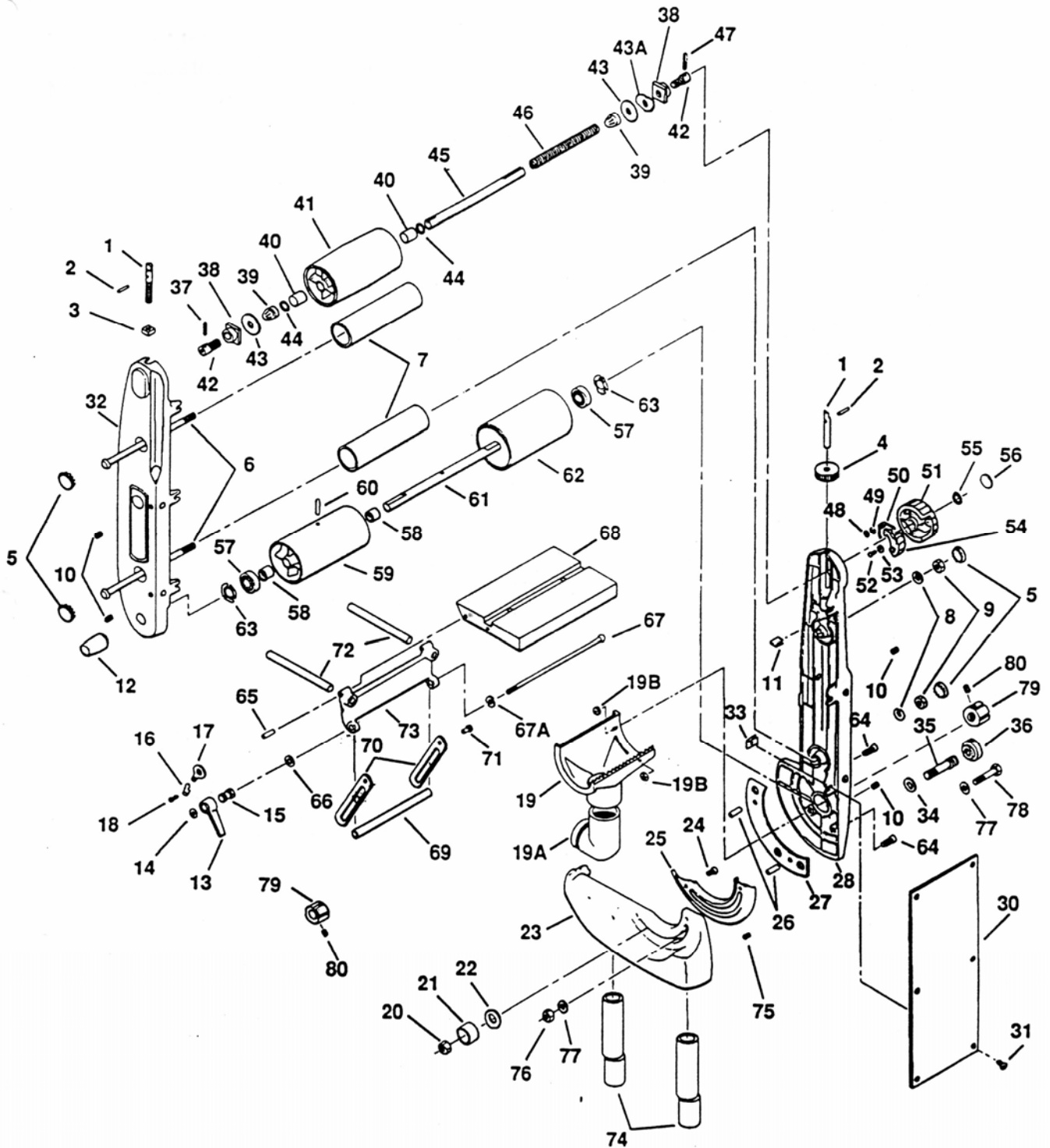


SHOPSMITH BELT SANDER

BELT SANDER EXPLODED VIEW



BELT SANDER. CONTINUED

PARTS LIST FOR BELT SANDER

Ref. No.	Part No.	Description	Qty.	Ref. No.	Part No.	Description	Qty.
Main Assembly				43	106266	. Washer, 5/8"	2
—	502955	Tracking Screw Assembly (includes 1,2)		43A	515619	. Curved Washer	1
1	502956	. Tracking Screw	2	44	502937	. Thrust Washer	2
2	513631	. Rollpin, 5/32" x 11/16"	2	45	.	. Idler Shaft	1
3	502958	Stop Nut	1	46	.	. Torsion Spring	1
4	502957	Tracking Knob	1	47	.	. Rollpin	1
5	432324	Button Plug	4	Tension Knob			
6	502960	Tie Bolt	2	—	502874	Tension Knob Assembly (includes 48-54)	
7	502959	Spacer Tube	2	48	.	. Retaining Ring	1
8	120382	Spring Lock Washer, 3/8"	2	49	.	. Lock Washer	1
9	120377	Hex Nut, 3/8"-16	2	50	.	. Latch Spring	1
10	222460	Setscrew, 5/16"-18 x 3/8"	4	51	.	. Tension Knob	1
11	503024	Tinnerman Clip	4	52	.	. Drive Screw	1
12	503004	Shaft Cap	1	53	.	. Washer, 1/8"	1
—	513061	Table Tilt Assembly (includes 13-15)		54	.	. Knob Latch	1
13	.	. Table Tilt Lock	1	55	501027	Retaining Ring	1
14	.	. Retaining Ring	1	56	502923	Medallion	1
15	.	. Locknut	1	Drive Drum			
—	503021	Indicator Assembly (includes 16-18)		—	502789	Drive Drum Assembly (includes 57-62)	
16	502999	. Indicator	1	57	.	. Ball Bearing	2
17	502998	. Indicator Washer	1	58	.	. Bushing	2
18	448309	. Self-tapping Screw, #8-32 x 1/4"	1	59	.	. Drive Drum	1
19	51485402	Dust Chute	1	60	.	. Rollpin	1
19A	514521	Elbow, 2-1/2" Diameter	1	61	.	. Drive Shaft	1
19B	124818	Hex Jam Nut, 1/4"-20	2	62	.	. Drive Sleeve	1
20	502987	Trunnion Nut, 3/8"-24	1	63	502961	Finger Washer	2
21	502988	Cup	1	64	513191	Socket Head Cap Screw, 1/4"-20 x 1"	2
22	120388	Flat Washer, 3/8"	1	Table			
—	503402	Base Assembly (includes 23-25)		—	503406	Table Assembly (includes 65-71)	
23	.	. Base Casting	1	65	.	. Rollpin, 1/4" x 7/8"	2
24	.	. Drive Stud	2	66	120388	. Flat Washer, 3/8"	1
25	.	. Trunnion Guide	1	67	503001	. Table Lock Bolt	1
—	515565	Inner Frame Assembly (includes 26-28)		67A	502318	. Special Washer	1
26	.	. Rollpin, 1/4" x 5/8"	2	68	.	. Table	1
27	.	. Trunnion	1	69	502992	. Support Spacer	1
28	.	. Right Frame Side	1	70	.	. Tilt Slide	2
29	not used			71	.	. Drive Stud	2
30	502963	Backup Plate	1	—	503407	Support Assembly (includes 72, 73)	
31	514050	Slotted Flathead Screw	6	72	.	. Mounting Rod	2
32	515538	Left Outer Frame	1	73	.	. Table Support	1
33	445446	Tinnerman Clip	6	Miscellaneous			
34	502985	Trunnion Washer	1	74	513777	Eccentric Mounting Tube	2
35	502974	Trunnion Stud	1	75	115321	Setscrew, 5/16"-18 x 5/16"	2
36	502989	Trunnion Lock	1	76	120377	Hex Nut, 3/8"-16	1
Idler Drum				77	120394	Washer, 3/8"	2
—	502934	Idler Drum Assembly (includes 37-47)		78	122181	Hex Head Cap Screw, 3/8"-16 x 2"	1
37	513732	. Split Pin, 3/16" x 7/8"	1	79	503576	Drive Hub	1
38	502945	. Guide Bushing	2	80	222458	Setscrew	1
39	.	. Tension Cam	2	—	51368601	Allen Wrench, 5/32"	1
40	.	. Bearing	2	* Sold only as part of an assembly.			
41	.	. Idler Drum	1				
42	.	. Spring Plug	2				

