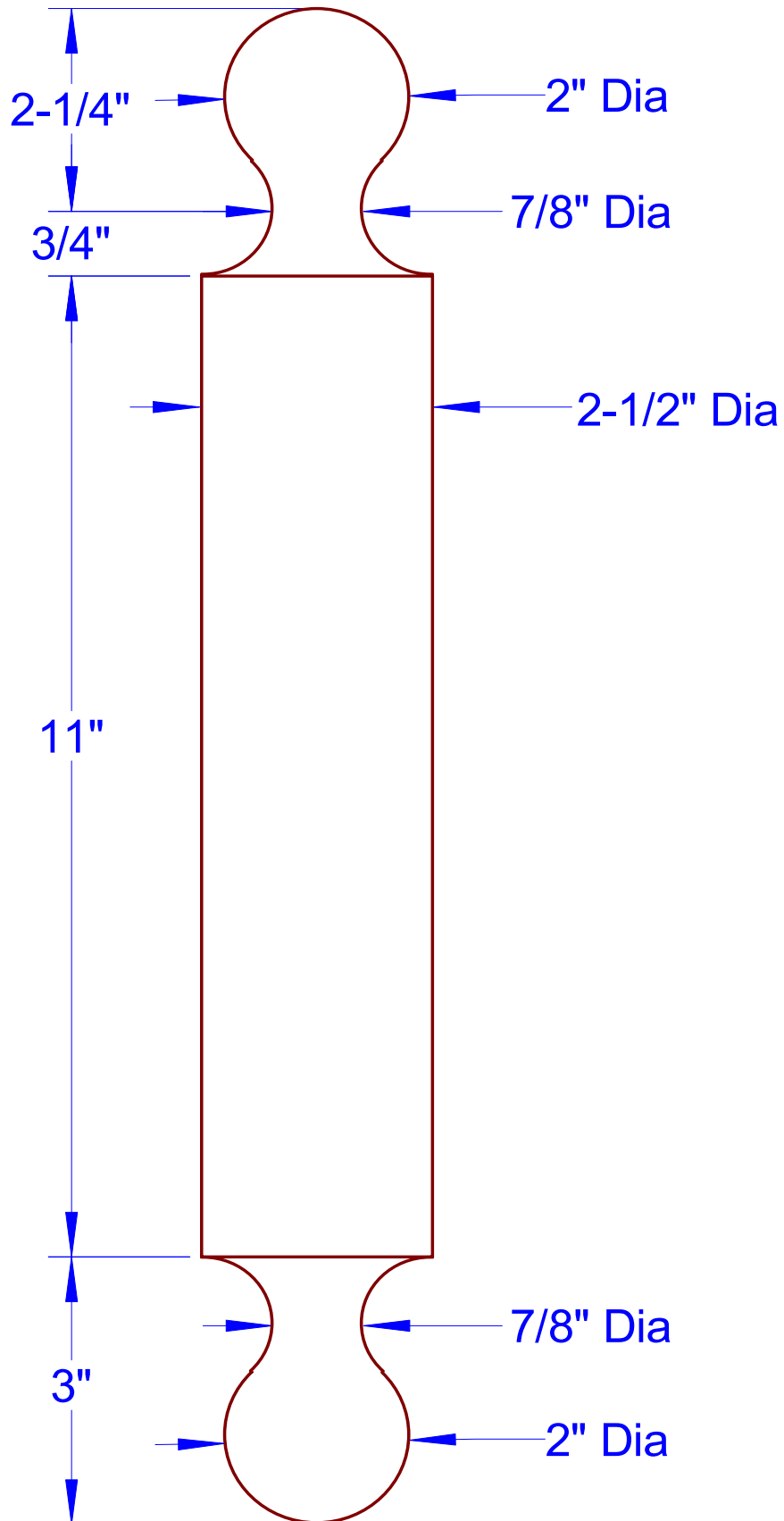
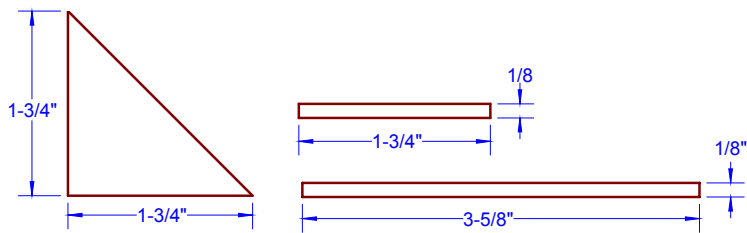


GEOMETRIC ROLLING PIN

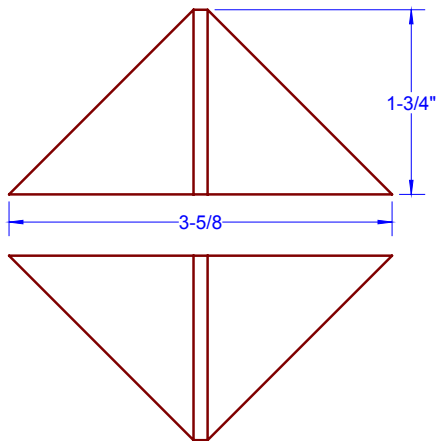


GEOMETRIC ROLLING PIN

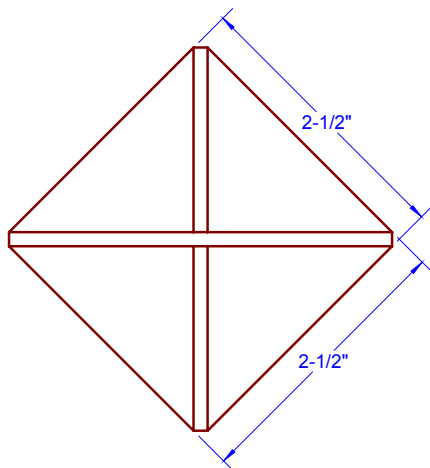


Glue Up # 1

1. Cut strips shown.

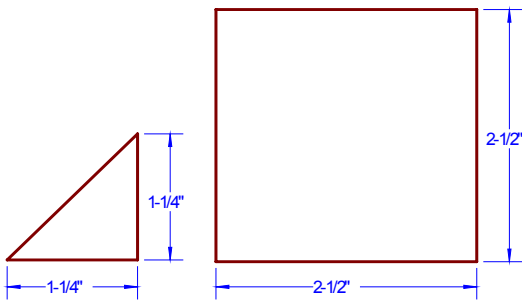


2. Sandwich each narrow rectangular strips between two triangular strips to make two halves.



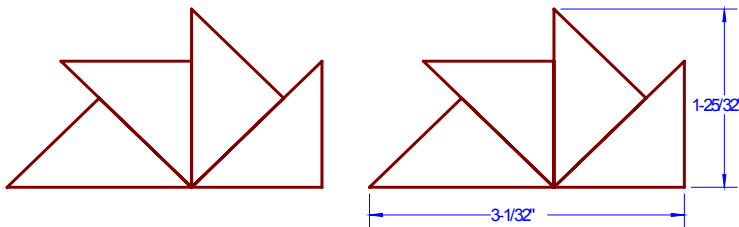
3. Sand the adjoining surfaces of the halves flat, then sandwich the wide rectangular strip between the two halves.

GEOMETRIC ROLLING PIN

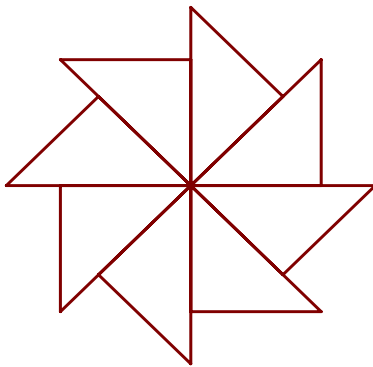


Glue Up # 2

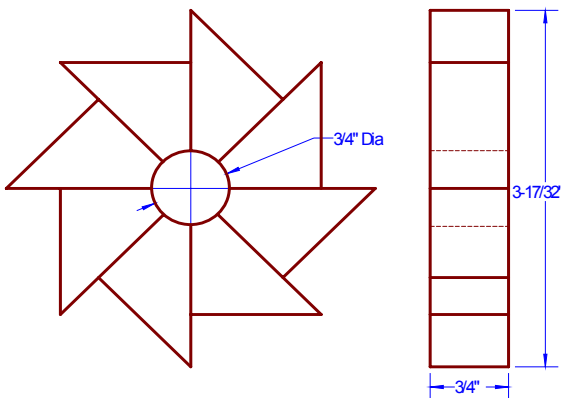
1. Cut strips shown.



2. Glue up the triangular strips as shown to make two halves.

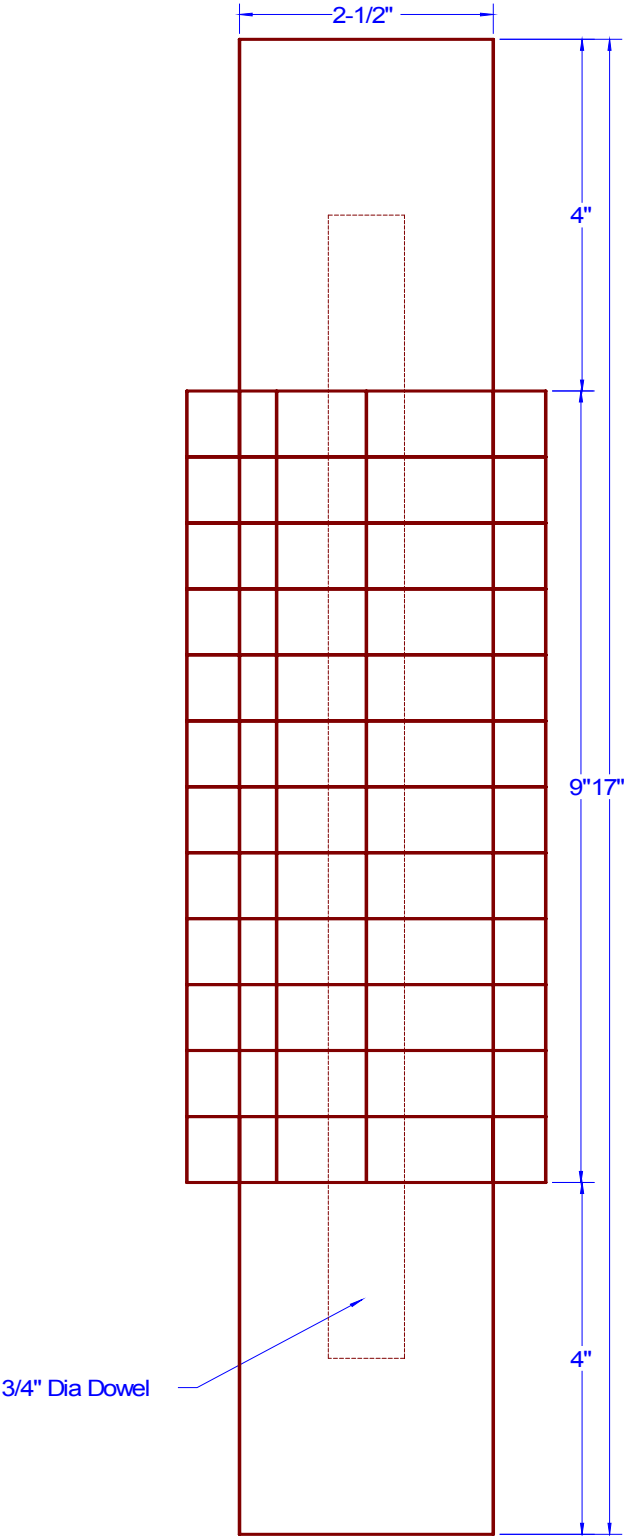


3. Sand the adjoining surfaces of the halves flat, then glue the two halves together.



4. Band saw the assembly into $\frac{3}{4}$ "-thick slices and drill a $\frac{3}{4}$ "-diameter hole in the center of each slice.

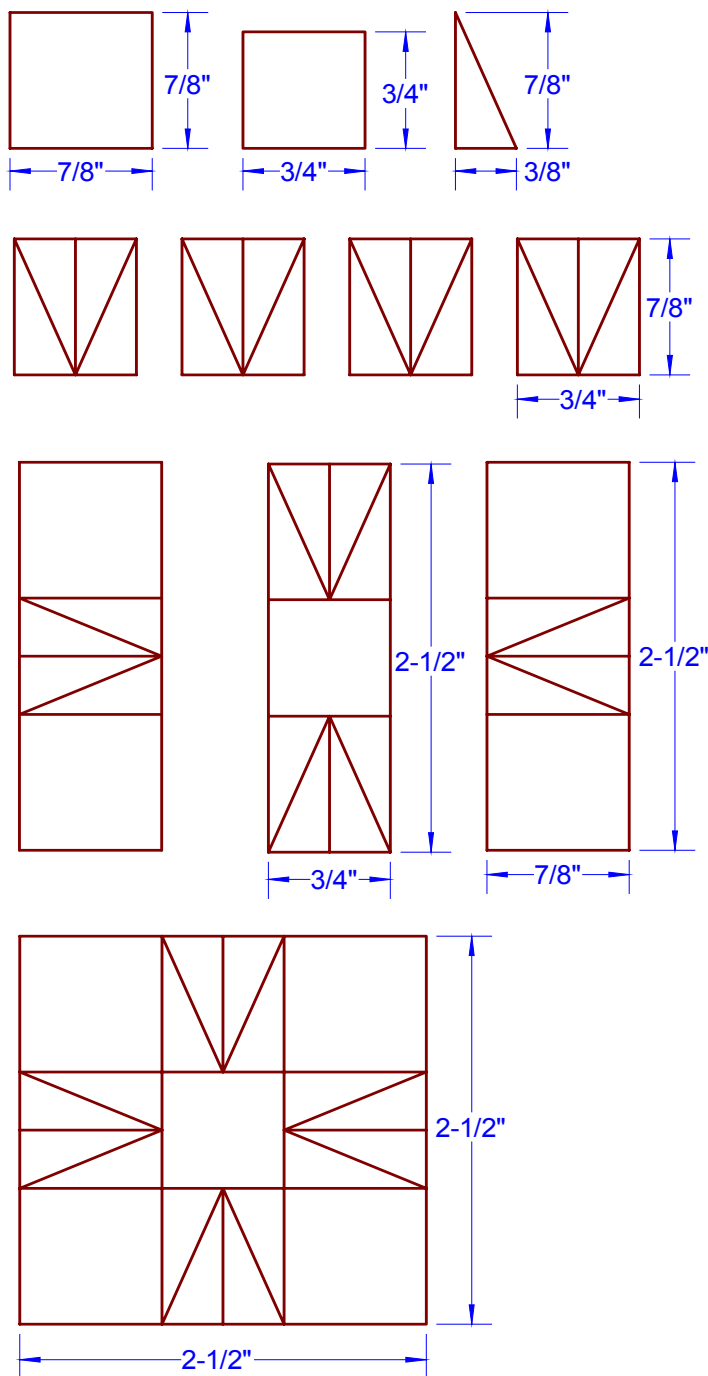
GEOMETRIC ROLLING PIN



5. Stack the slices on a 3/4"-diameter dowel. Drill 3/4"-diameter holes in the ends of two rectangular blocks. Glue all the parts together with the slices sandwiched between the blocks.



GEOMETRIC ROLLING PIN



Glue Up # 3

1. Cut strips shown.

2. Glue up the triangular strip to make four assemblies $3/4''$ by $7/8''$.

3. Sand the adjoining surfaces of the triangle assemblies flat. Sandwich two of the triangle assemblies between the larger square strips. Sandwich the small square strip between the remaining two triangle assemblies.

4. Sand the adjoining surfaces of all assemblies flat, then glue them together as shown.