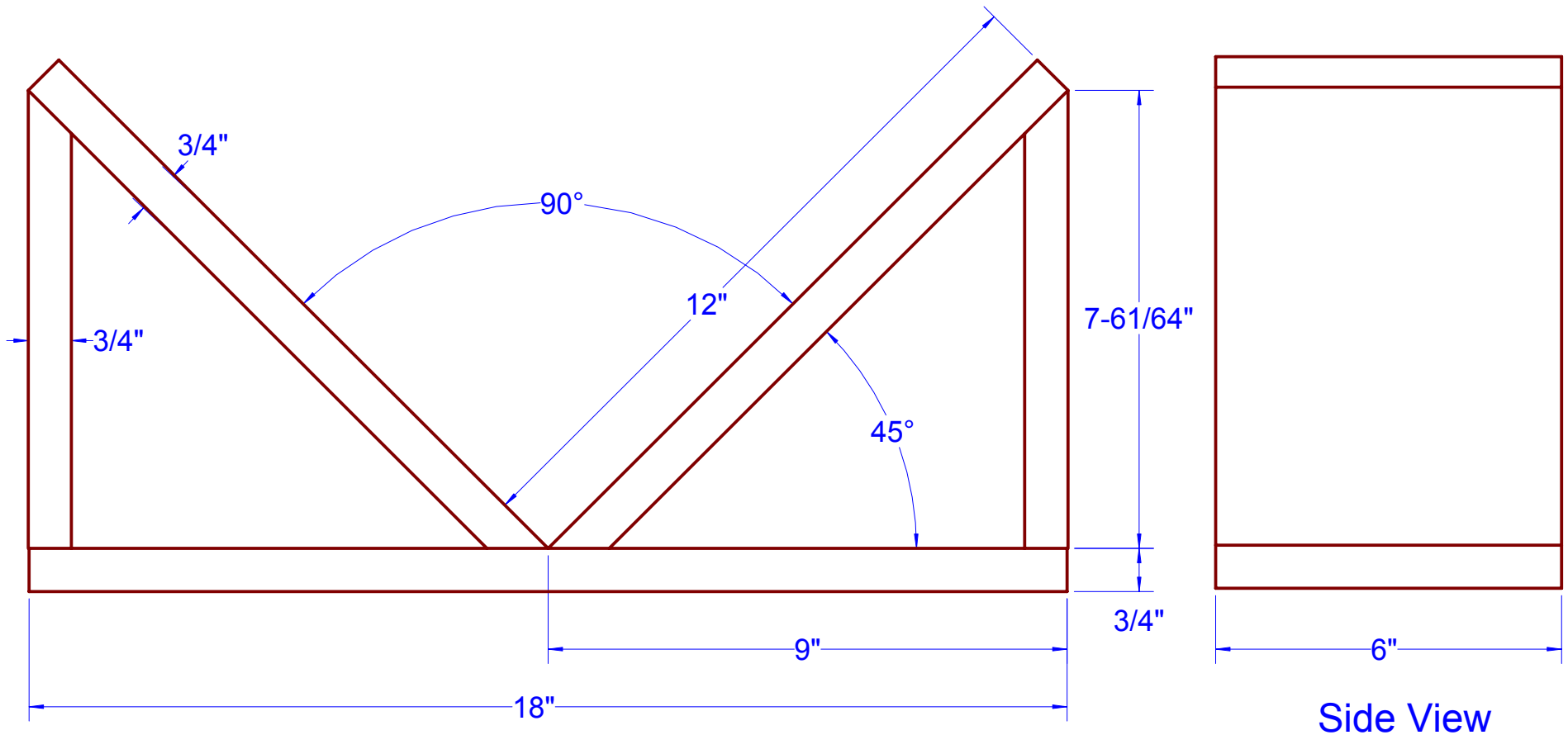


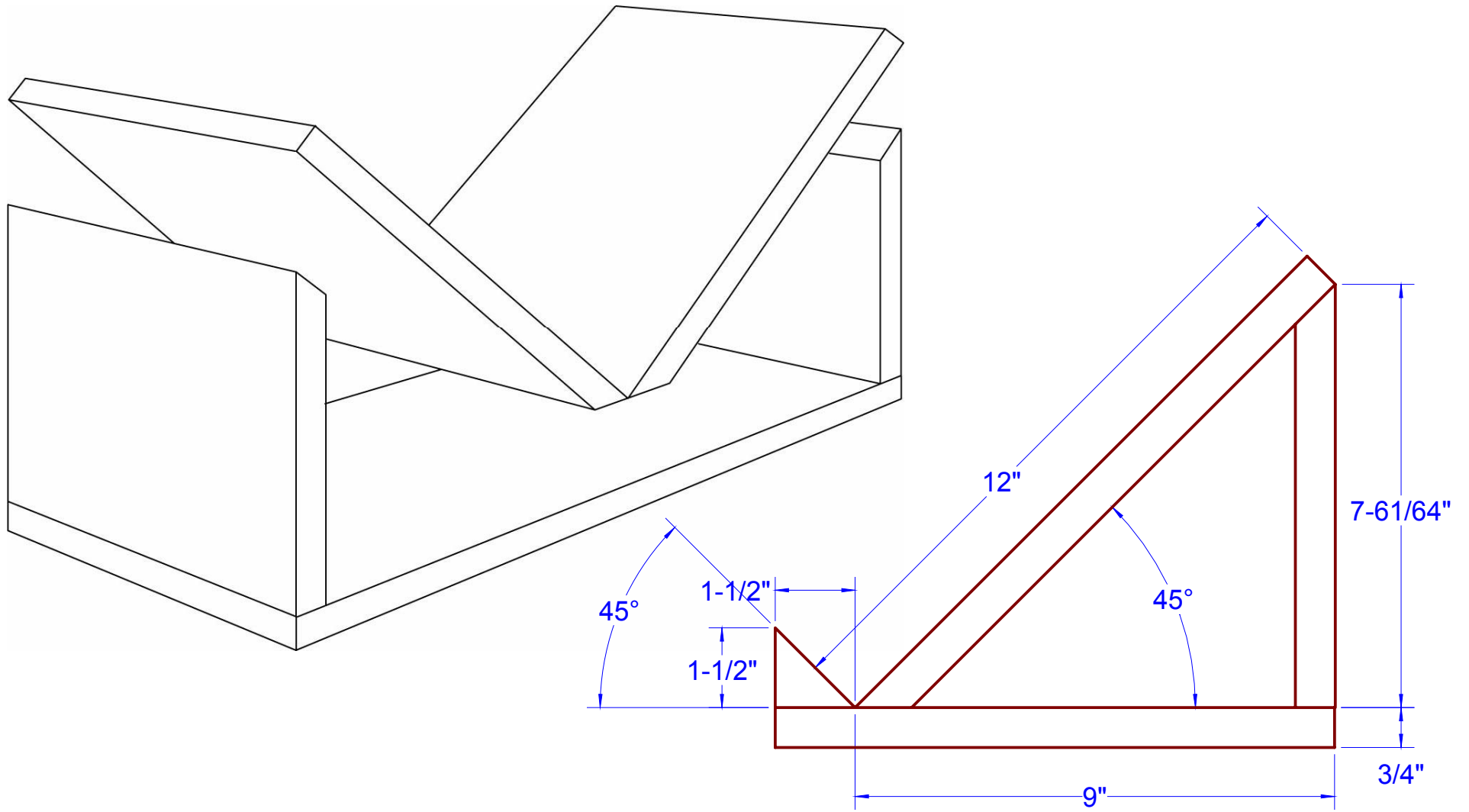
BOX CORNER JIGS



Front View -- For Table Saw & Router Table

Side View

BOX CORNER JIGS



Front View -- For Horizontal Boring Machine